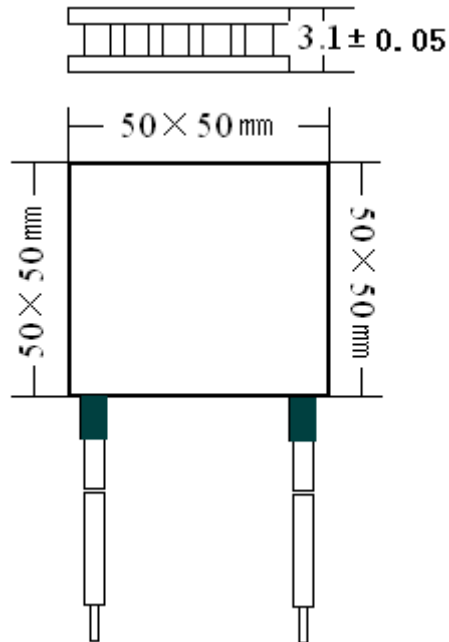


Hebei I.T. (Shanghai) Co.,Ltd.

Specification

Part No.:TEC1-26316HTS



PARAMETERS	UNIT	TEC1-26316HTS	
Current,max	A	16.0	
Voltage,max	V	31.6	
Cooling power(at th=25°C)	W	Min.300	
Temp.Difference.max(at th=25°C)	K	In vacuum (unsealed) min.64	On air (sealed) min.66
Resistance(at, 25°C)	Ohms	1.55-1.65	
Figure of Merit	1/K	In vocuum (unsealed) 0.00265	On air (sealed) 0.00245
Width	mm	50±0.5	
Length	mm	50±0.5	
Thickness	mm	3.1	
Thickness tolerance	mm	±0.3	
Parallel difference	mm	0.05	
Wire length	mm	60 mm	
Wire section	mm ²	1.0	
Inter melting point	°C	200	